

# Elype

THE  
WAY IT  
LEDs





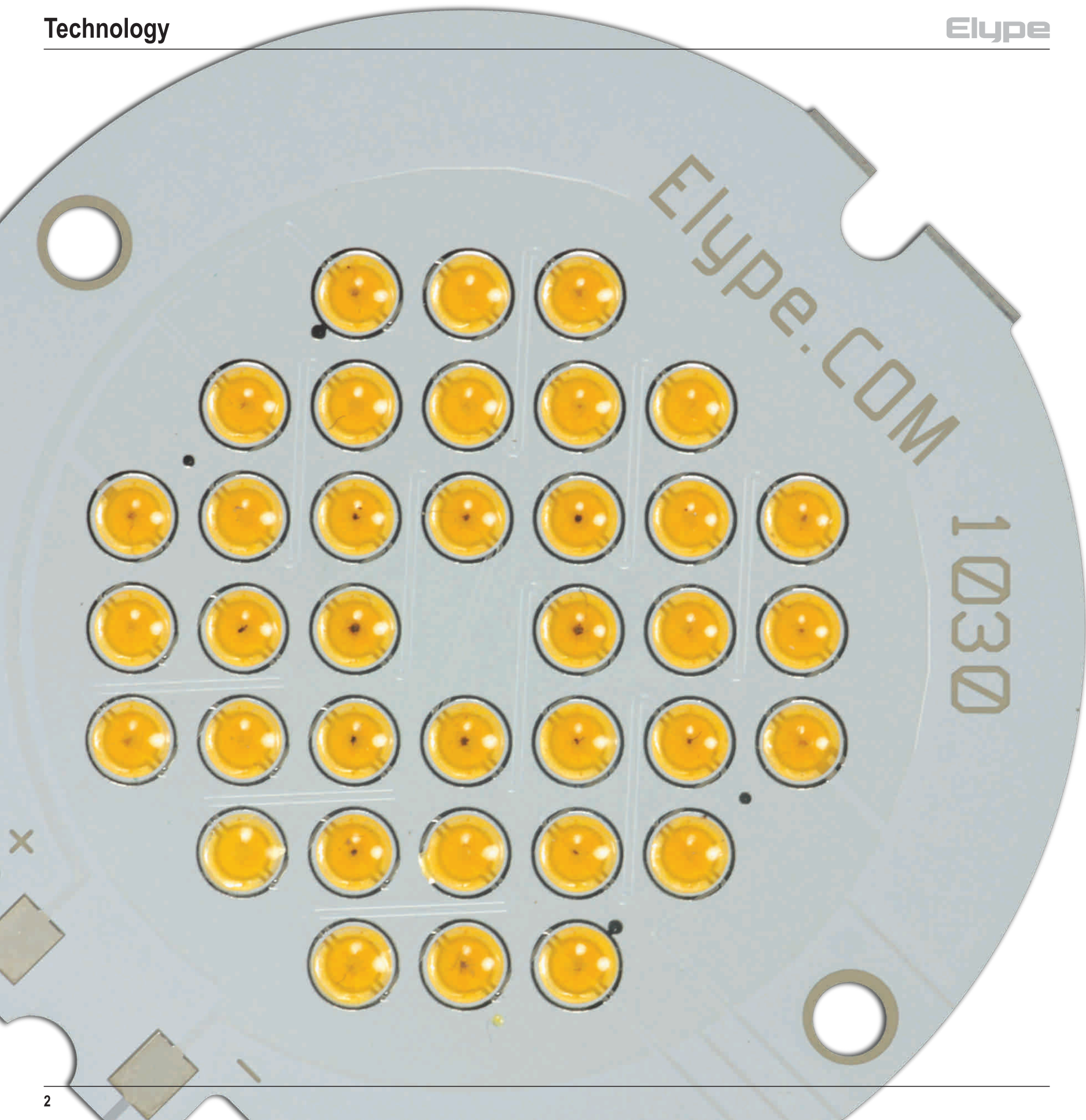
**Finding** a job you like is not an easy task. Finding a job where you can make a difference and do good to people is even more difficult.

**We** are proud to say that we have found this job. We produce LED products and make the world a little better by delivering energy-efficient lighting solutions. Thanks to our effort, our clients get smaller electricity bills and the human impact on the environment becomes less of a problem.

**The** modern technology that we use to produce our LEDs allows us to provide energy-efficient, high-quality and virtually maintenance-free light to our customers.

**We** feel so good about what we do, that working still counts as recreation. Maybe this is the reason why we have so many satisfied customers.

***Elype.com***

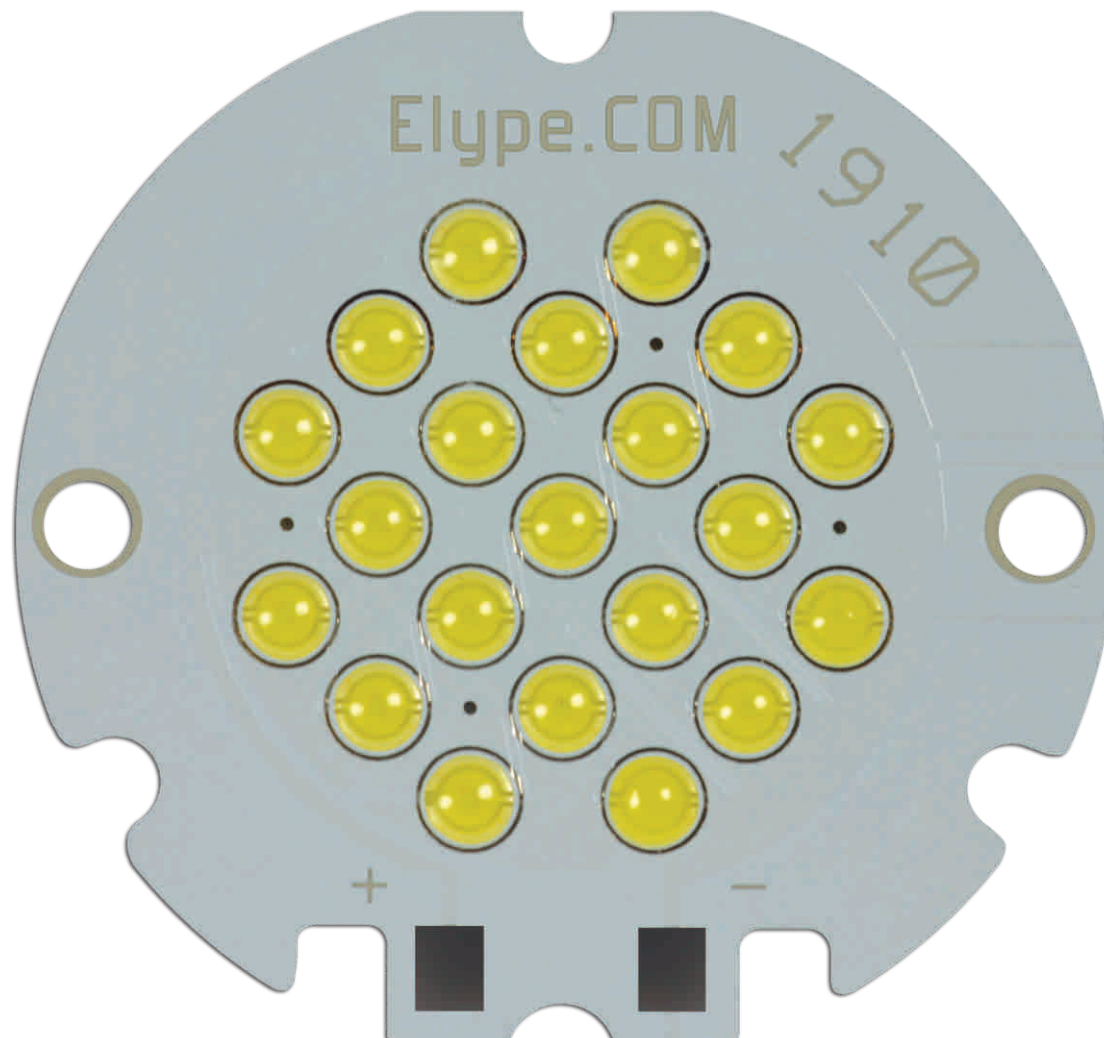


**LEDs** come in an array of designs and structural configurations. We want to provide you with the best configuration you can get so we offer you Chip on Board (COB) LED modules.

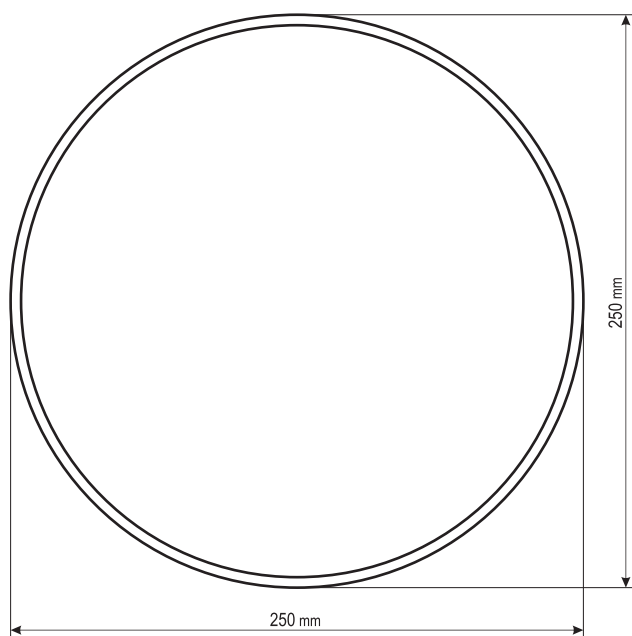
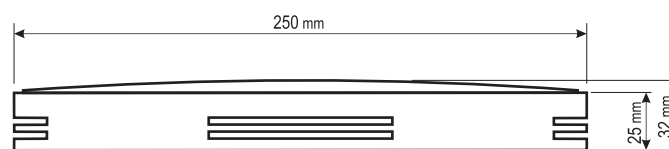
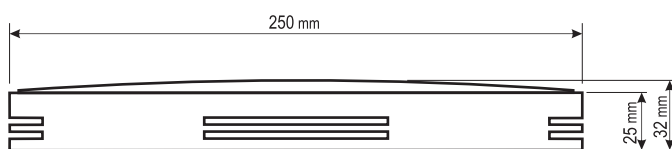
**The** method we use is simple yet efficient – the chips are protected and mounted directly on the circuit board. The resulting lighting solution is tightly packed, lightweight, cost-effective and heat-dissipating.

**This** technology allows more light to be emitted from a small surface area. The flexibility of the COB technique allows for creating custom LED lighting designs.

**All** our COB LED modules are factory- manufactured in Taiwan without any manual intervention so the highest quality is guaranteed.







<b>Size:</b>	D 250 x H 32 mm
<b>Case material:</b>	Aluminium + PC
<b>Case finishing:</b>	Aluminium
<b>Working voltage (V):</b>	100-265
<b>Operating Temperature (°C):</b>	-40 ~ +75
<b>Viewing angle (degrees):</b>	170
<b>LED Lifespan (Hours):</b>	50000,00

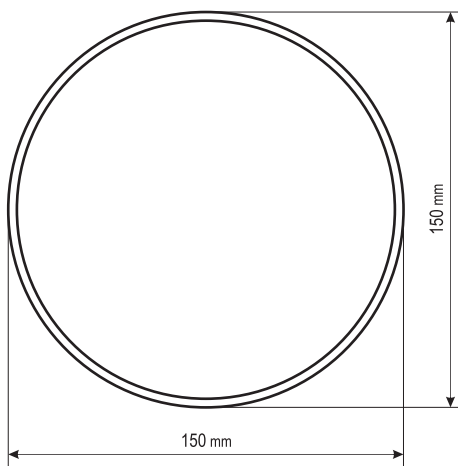
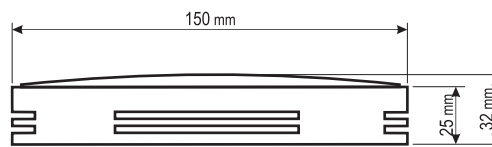
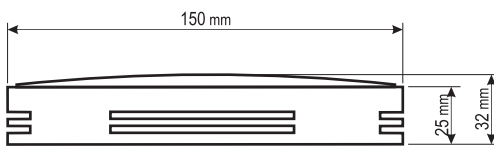
LED Power (W)	Colour Temperature	Diffuser type	Luminous Flux (lm)	Model code
16,5	cool white (5500K)	transparent	1450	EP-R/C250/16.5/55
16,5	cool white (5500K)	milky	1300	EP-R/M250/16.5/55
16,5	warm white (3000K)	transparent	1120	EP-R/C250/16.5/30
16,5	warm white (3000K)	milky	1010	EP-R/M250/16.5/30
23,1	cool white (5500K)	transparent	1980	EP-R/C250/23.1/55
23,1	cool white (5500K)	milky	1780	EP-R/M250/23.1/55
23,1	warm white (3000K)	transparent	1500	EP-R/C250/23.1/30
23,1	warm white (3000K)	milky	1350	EP-R/M250/23.1/30







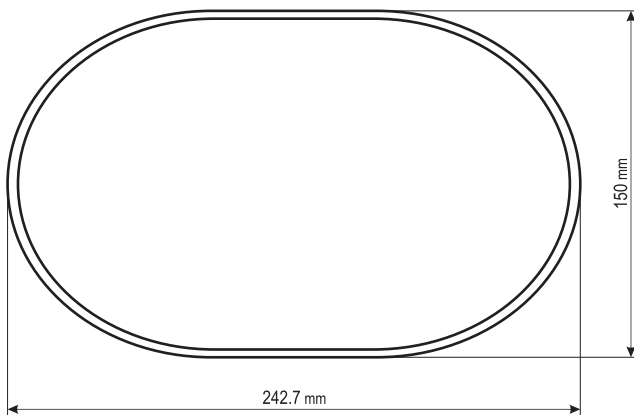
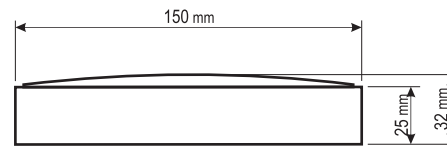
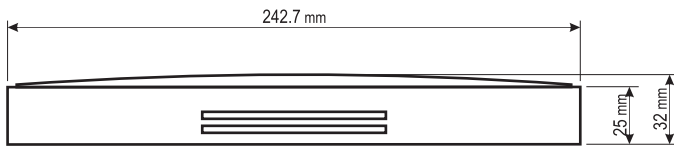
DESIGNER SERIES



<b>Size:</b>	D 150 x H 32 mm
<b>Case material:</b>	Aluminium + PC
<b>Case finishing:</b>	Aluminium
<b>Working voltage (V):</b>	100-265
<b>Operating Temperature (°C):</b>	-40 ~ +75
<b>Viewing angle (degrees):</b>	170
<b>LED Lifespan (Hours):</b>	50000,00

LED Power (W)	Colour Temperature	Diffuser type	Luminous Flux (lm)	Model code
5,5	cool white (5500K)	transparent	480	EP-R/C150/5.5/55
5,5	cool white (5500K)	milky	430	EP-R/M150/5.5/55
5,5	warm white (3000K)	transparent	375	EP-R/C150/5.5/30
5,5	warm white (3000K)	milky	335	EP-R/M150/5.5/30
7,7	cool white (5500K)	transparent	660	EP-R/C150/7.7/55
7,7	cool white (5500K)	milky	600	EP-R/M150/7.7/55
7,7	warm white (3000K)	transparent	500	EP-R/C150/7.7/30
7,7	warm white (3000K)	milky	450	EP-R/M150/7.7/30
9,9	cool white (5500K)	transparent	920	EP-R/C150/9.9/55
9,9	cool white (5500K)	milky	825	EP-R/M150/9.9/55
9,9	warm white (3000K)	transparent	600	EP-R/C150/9.9/30
9,9	warm white (3000K)	milky	540	EP-R/M150/9.9/30

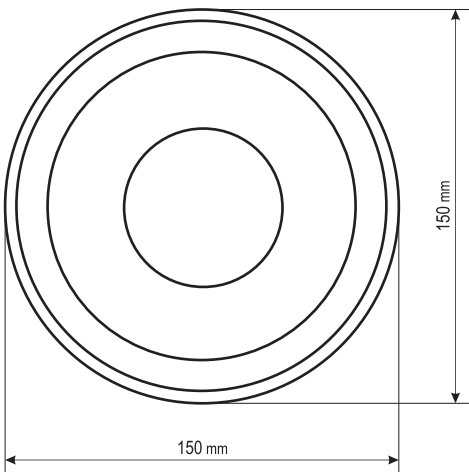
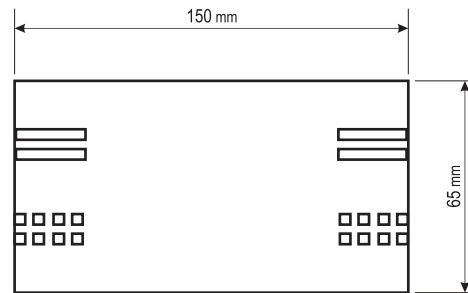
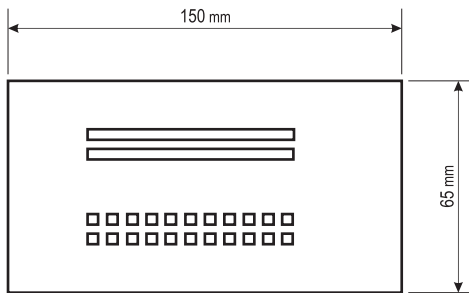




<b>Size:</b>	242,7 x 150 x 32 mm
<b>Case material:</b>	Aluminium + PC
<b>Case finishing:</b>	Aluminium
<b>Working voltage (V):</b>	100-265
<b>Operating Temperature (°C):</b>	-40 ~ +75
<b>Viewing angle (degrees):</b>	170
<b>LED Lifespan (Hours):</b>	50000,00

LED Power (W)	Colour Temperature	Diffuser type	Luminous Flux (lm)	Model code
11	cool white (5500K)	transparent	960	EP-L/C/11/55
11	cool white (5500K)	milky	865	EP-L/M/11/55
11	warm white (3000K)	transparent	750	EP-L/C/11/30
11	warm white (3000K)	milky	675	EP-L/M/11/30
15,4	cool white (5500K)	transparent	1320	EP-L/C/15.4/55
15,4	cool white (5500K)	milky	1180	EP-L/M/15.4/55
15,4	warm white (3000K)	transparent	1000	EP-L/C/15.4/30
15,4	warm white (3000K)	milky	900	EP-L/M/15.4/30
19,8	cool white (5500K)	transparent	1840	EP-L/C/19.8/55
19,8	cool white (5500K)	milky	1650	EP-L/M/19.8/55
19,8	warm white (3000K)	transparent	1200	EP-L/C/19.8/30
19,8	warm white (3000K)	milky	1080	EP-L/M/19.8/30

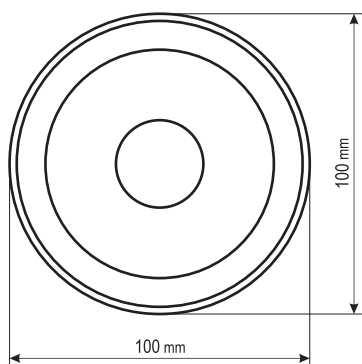
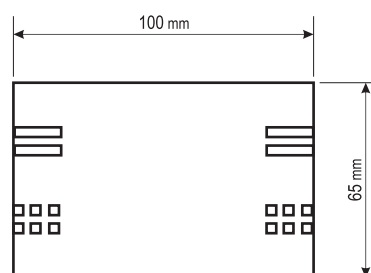
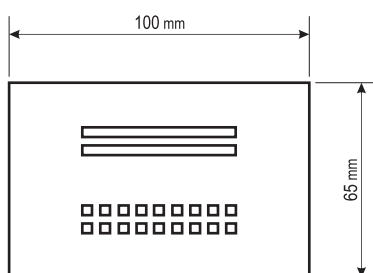




<b>Size:</b>	D 150 x H 65 mm
<b>Case material:</b>	Aluminium
<b>Case finishing:</b>	Aluminium
<b>Working voltage (V):</b>	100-265
<b>Operating Temperature (°C):</b>	-40 ~ +75
<b>Viewing angle (degrees):</b>	140
<b>LED Lifespan (Hours):</b>	50000,00

LED Power (W)	Colour Temperature	Luminous Flux (lm)	Model code
9,9	cool white (5500K)	900	EP-DE150/9.9/55
9,9	warm white (3000K)	600	EP-DE150/9.9/30
13,2	cool white (5500K)	1240	EP-DE150/13.2/55
13,2	warm white (3000K)	995	EP-DE150/13.2/30



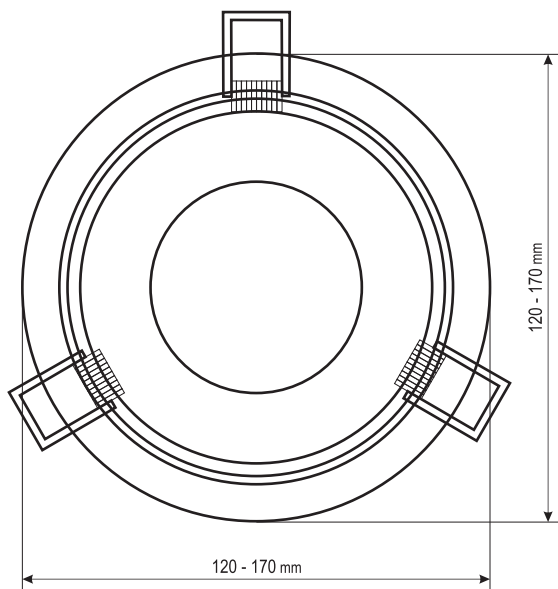
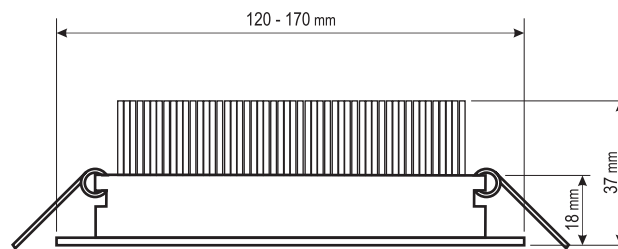
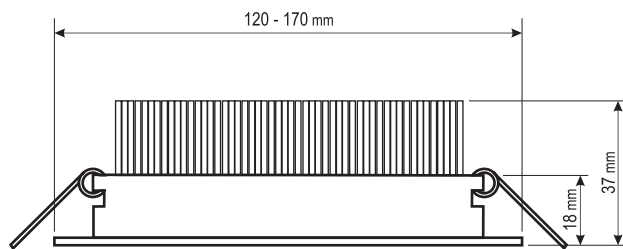


<b>Size:</b>	D 100 x H 65 mm
<b>Case material:</b>	Aluminium
<b>Case finishing:</b>	Aluminium
<b>Working voltage (V):</b>	100-265
<b>Operating Temperature (°C):</b>	-40 ~ +75
<b>Viewing angle (degrees):</b>	140
<b>LED Lifespan (Hours):</b>	50000,00

LED Power (W)	Colour Temperature	Luminous Flux (lm)	Model code
5,5	cool white (5500K)	480	EP-DE100/5.5/55
5,5	warm white (3000K)	375	EP-DE100/5.5/30
7,7	cool white (5500K)	660	EP-DE100/7.7/55
7,7	warm white (3000K)	500	EP-DE100/7.7/30







<b>Size:</b>	D 120 x H 37 mm D 170 x H 37 mm
<b>Cutout Size:</b>	D 90 - 140 mm
<b>Case material:</b>	Aluminium + PC
<b>Case finishing:</b>	Aluminium
<b>Working voltage (V):</b>	100-265
<b>Operating Temperature (°C):</b>	-40 ~ +75
<b>Viewing angle (degrees):</b>	140
<b>LED Lifespan (Hours):</b>	50000,00

LED Power (W)	Colour Temperature	Luminous Flux (lm)	Model code
5,5	cool white (5500K)	480	EP-DI120/5.5/55
5,5	warm white (3000K)	375	EP-DI120/5.5/30
7,7	cool white (5500K)	660	EP-DI120/7.7/55
7,7	warm white (3000K)	500	EP-DI120/7.7/30
9,9	cool white (5500K)	900	EP-DI170/9.9/55
9,9	warm white (3000K)	600	EP-DI170/9.9/30
13,2	cool white (5500K)	1240	EP-DI170/13.2/55
13,2	warm white (3000K)	995	EP-DI170/13.2/30

Elype





China office:  
room 1413 Times Classic Business building  
Xian Lie Nan rd #9,510060 Yue Xin district, Guangzhou  
Tel. +86 02083054067

Email. [office@elype.com](mailto:office@elype.com)  
Web Site: [www.elype.com](http://www.elype.com)